



## MODEL DLX30 TUBULAR SKYLIGHT

Illuminates 300 sq ft

Fill the room with healthy, natural light. And, save energy, which will also save you money!

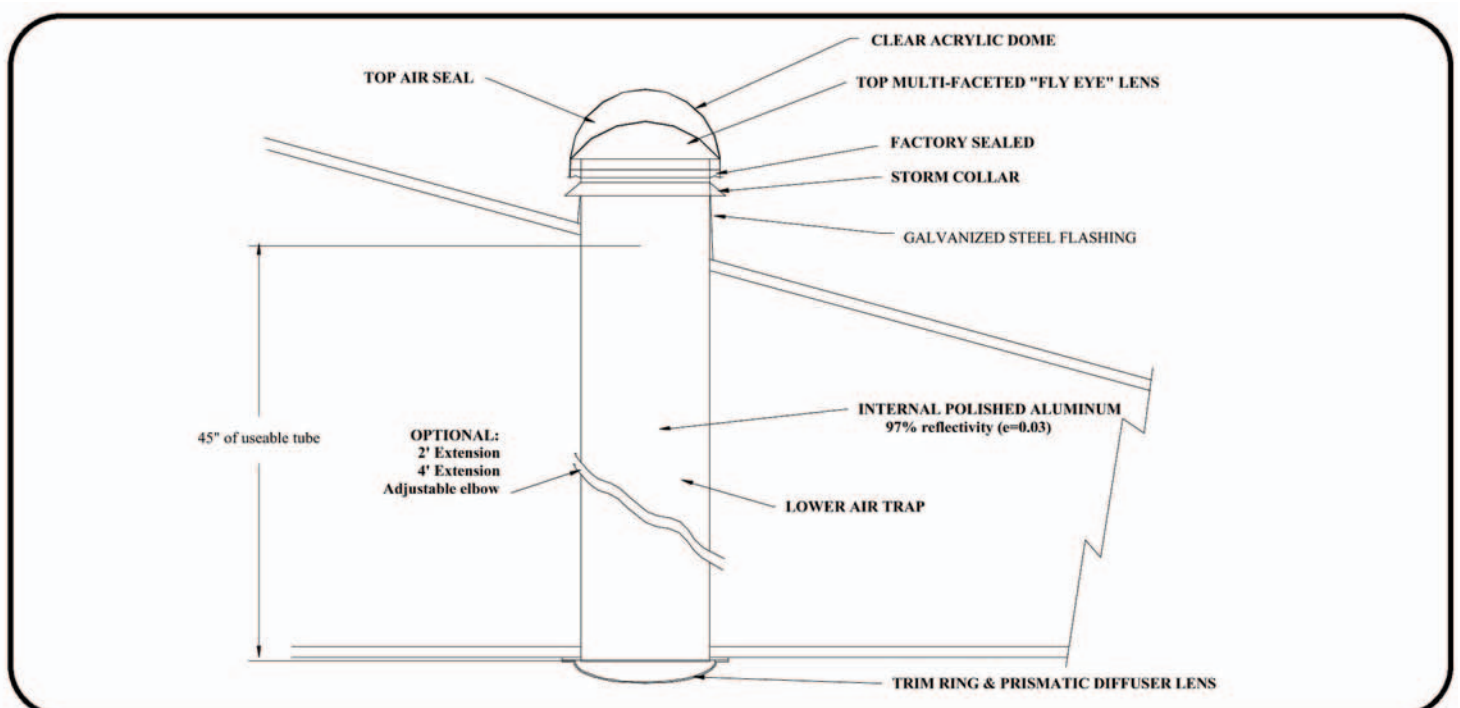
The Daylite Tube is a highly reflective, cylindrical skylight, that runs from the roof down into a room providing the illuminance of full spectrum lighting. Sunlight enters the tube through a clear acrylic dome. The inner prismatic lens ("fly-eye") captures the light from all angles and collimates it down the reflective tube, to be evenly spread through out the room via a second prismatic diffuser lens.

On sunny days, the Daylite Tube can provide the equivalence of 1000 Watts of incandescent light. Even on cloudy days, the Daylite Tube can provide 100 to 180 watts of illuminance.

Tap in to the free light source. Effective use of our most natural energy resource on this planet, the sun, ensures there is less depletion of the ozone layer and prevents air pollution.

## Features

- A factory sealed, 12" double dome on the roof providing complete isolation from external weather conditions.
- The dome "fly-eye" lens and lower diffuser lens are multi-faceted prismatic moldings that trap a second layer of air for additional isolation.
- The tube material is Aluminum, the internal finish is a highly reflective vacuum deposition, also known as a "first surfaced" reflector.
- The external surface of the tube is coated with a corrosive resistance film, that will not peel or flake over time.
- Standard, proven, galvanized flashings ensure leak proof installation on your roof.
- The interior prismatic diffuser lens lights up to 150 sq. feet. And, is simple to remove for quick cleaning.
- Easy to install, simple to maintain and it carries a "life time" warranty.



## Specifications

Measurements based on typical installation, that being 2 x 2' lengths (per kit) or 4' length of tube:

Designed to light up to 300 sq. ft area

Mid day, clear conditions, approx. 90,000 lux delivers 6820 luminous flux. Equivalent to five 100W light bulbs

Dome is classified CC2. Material - high impact, pure acrylic: ASTM D 1547 Type II, Federal spec. L-P507, Type II

Dome Gasket/Seal uses a Poron gasket with silicon seal - ASTM C794-92, ASTM B 1929-B 350°C[660°F]

Flashing and Storm Collar - standard 26g galvanized steel

Daylite Tube - 0.020 PVD coated aluminum 99.9% specular reflectivity at 60° angle (emmissivity = 0.03)  
- ASTM E 1651-94, 179-81 & 430-78

Trim Ring - ABS plastic thermal fit

Lower Gasket -1/16th" CS Foam

Upper and lower prismatic Lens - 0.125" pure acrylic, with octagonal, multi-facet finish. Captures light through a full 170° angle ["fly-eye"]

### Parts List

**Standard 12" Daylite Kit      Model DLX30**  
**consisting of:**

2 ft. Tube w/dual lens & dome  
2 ft. Tube extension (std.)  
Storm collar  
Roof flashing (std. 0 to 6/12 pitch)  
Sheet metal screws - for roof  
Metal tape  
Sealant (1 tube)  
Ceiling mounting ring w/screws & tabs  
Foam gasket  
Lower Lens - 12" bowl type (1.75" deep)  
Lower trim piece - std. color "white"

Shipping box                      weight = Kg (17lbs)  
Dimensions = (26"x 14"x 29")

### Accessories and options

- 4 ft. Tube extension
- Light Kit - 120VAC/75W
- Adjustable Elbow Joint      (0° to 90°)
- S-Tile aluminum flashing
- SteepPitch flashing (7/12 to 12/12 pitch)
- Lower Lens - 12" flush type

**DAYLITE NATURAL LIGHTING**  
**1560 Eastman Ave.**  
**Ventura, CA 93003, USA**

**Tel: (805)642-6557 Fax: (805)642-4544**  
**www.dayliteco.com**

